

Bariatric 33 Air Massage Walk In Bathtub



335502L Left Hand Door and Drain



335502R Right Hand Door and Drain

Actual Size: 33.75" W x 55" L x 41" H
 Shipping Size: 36" W x 56" L x 51" H
 Shipping Weight: 209 lbs.
 Net Weight: 169 lbs.
 Water Capacity: 100 gal. US (unoccupied)
 64-85 gal. US (occupied)

Options:

- White or Biscuit Shell
- Left or Right Hand Door/Drain
- Dual Massage
- Hydro Massage
- Soaking

Included Features:

1. Tub Shell - Gel Coat Fiberglass
 - High quality fiberglass material
 - Excellent color uniformity
 - Durable gel coat surface
 - Easy-to-clean high gloss finish
2. Stainless Steel Frame
3. 5.75" Threshold
4. 15.75" Seat Height
5. 25.5" Seat Width
6. Anti-slip floor
7. Built-in, L-shaped safety grab bar
8. Two (2) removable access panels
9. Wall extension kit to fit in standard 60" opening
10. Auto Purge System
11. Therapeutic Air Massage System
 - Push control
 - Adjustable three (3) speed air pump with heater
 - Eighteen (18) air jets
12. Five (5) Piece Huntington Brass Roman Faucet in Chrome
 - Jewel Arched Solid Brass Spout
 - 3/4" Valve, 3/4" Ports
 - Ceramic Disc Cartridges
 - Quick Connect Spout Installation
 - NPS Connections
 - 18 GPM (Average) @ 60 PSI

Plumbing:

- Two (2) 30" Supply Lines with 3/4" FIP connections
- +/- 5 minute 1 1/2" Quick Drain with overflow
- Drain opener with extension handle

Electrical:

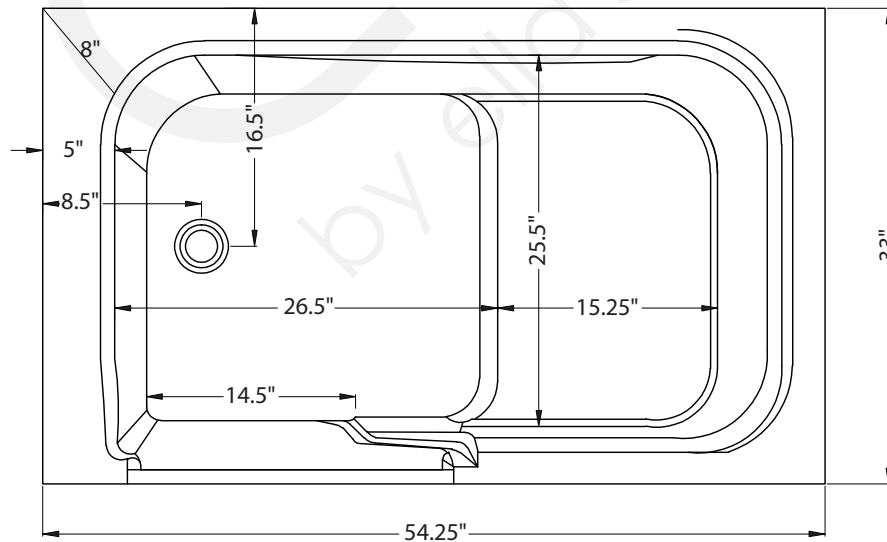
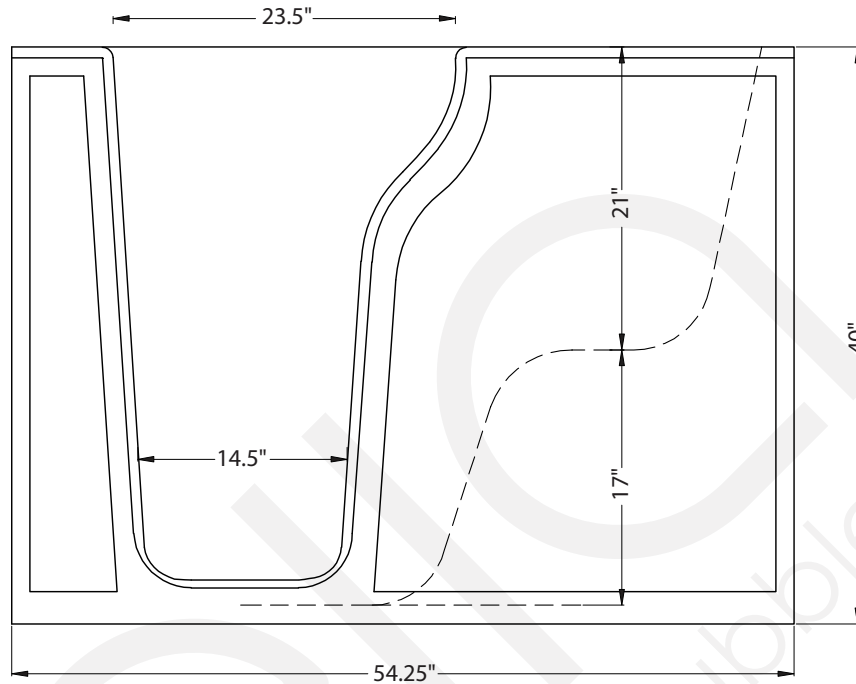
120v. Standard Plug-In for 0.50hp Air Pump

Warranty:

- 25 Year warranty on tub body
- Lifetime warranty on door seal and air jets
- 5 Year on faucet and pumps*

*For more information please visit www.ellasbubbles.com.

Disclaimer:
 The walk-in bathtub comes without pre-drilled faucet holes. The faucet is installed by customer (contractor). The standard PVC pipe for drain overflow is measured, cut at the job site and supplied by customer (contractor).



Disclaimer:

In an effort to continually improve our product, specifications and configurations are subject to change without notice. Before ordering or installing, consider future access to essential equipment.